

Coffee Station (Executive floor) (excluding appliances)

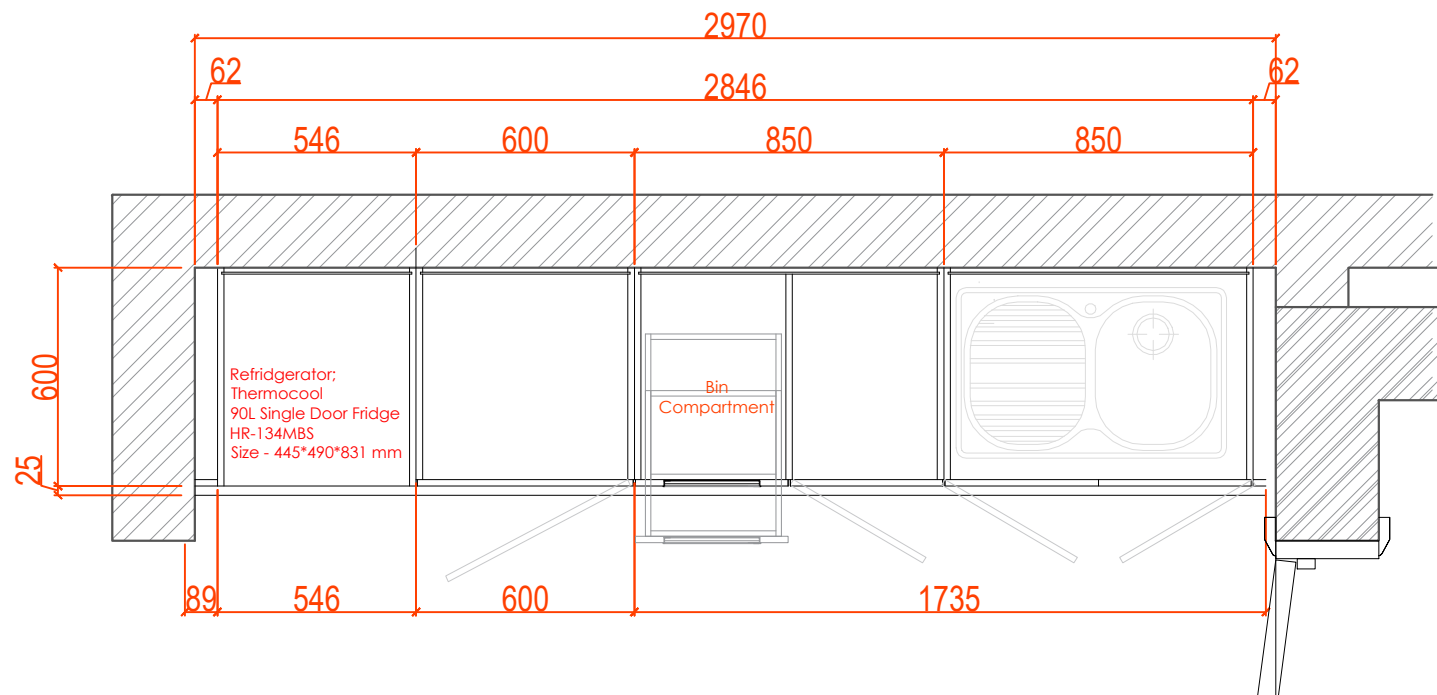
Base cabinet with white corian top, Tall unit in laminate finish (Swiss krono Moor Oak) with Perspex Backsplash and stainless steel skirting.

ITEM 17 ON THE LIST

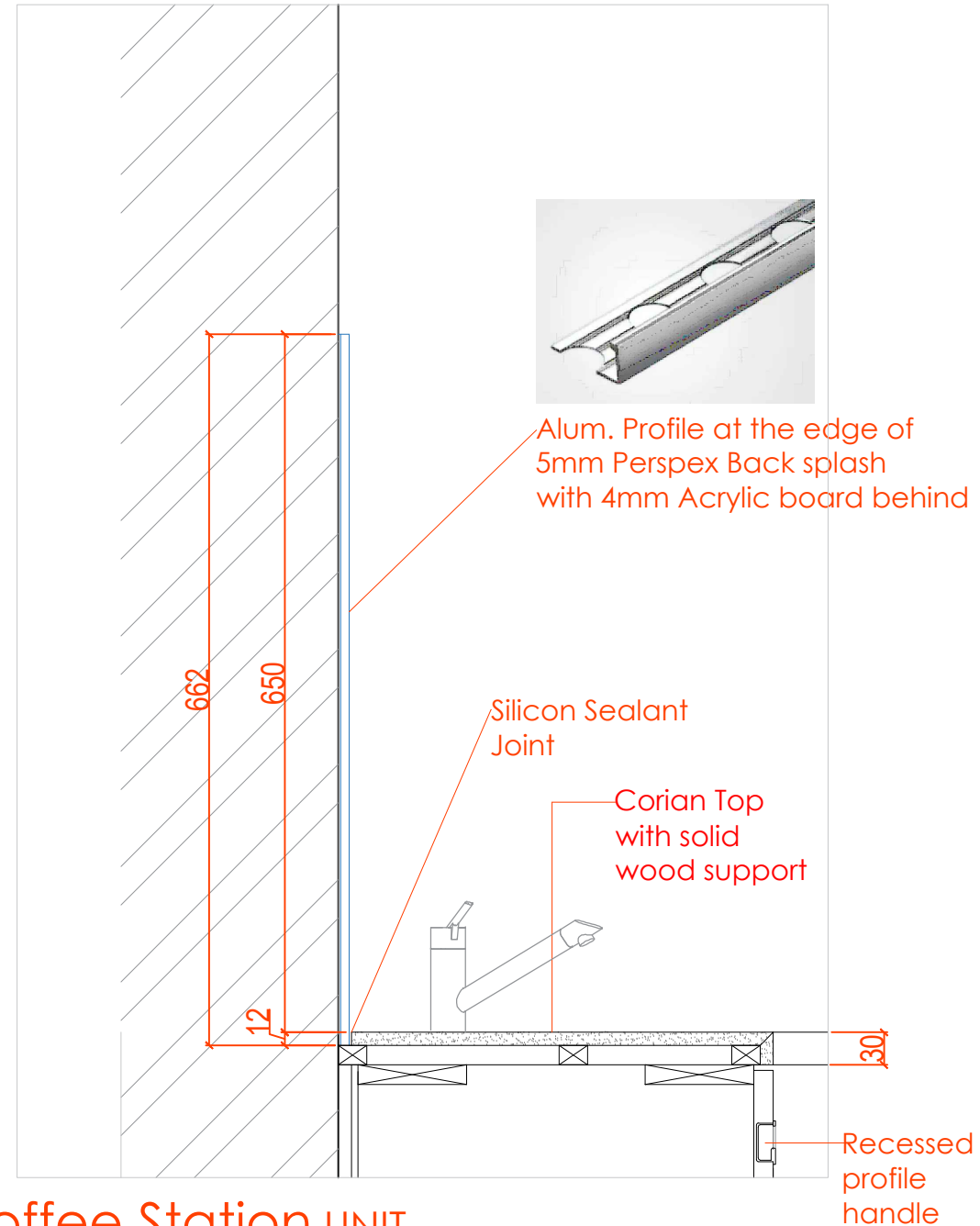
QTY 1

2ND FLOOR ENERGY HUB

FINISHING CODE SW287



Coffee Station UNIT.
Floor Plan Details



www.wood-styles.com

Copyright of designs shown herein is retained by this office. Authority is required for any reproduction. © Copyright Wood-styles Ltd.

Nigeria, Lagos +234 80 9037 9888

Email: info@wood-styles.com

Project
SHELL CW866175
SHELL PROJECT
EAGLE -ALPHA 1 TOWER

Owner

Date	Description
DSD-V1-ID-16/5/2024	- REV1
DSD-V1-ID-10/6/2024	- REV 2
DSD-V1-ID-26/6/2024	- REV 3
DSD-V1-ID-03/7/2024	- REV 4

FOR APPROVAL

Project No. : --
Scale : N/A
Drawn by : OBJ
Checked : OBJ
Cad File : CAD_FILE

Sheet title
Coffee Station (Executive floor)
Floor Plan and Side Details

Dwg No. WS-DS-SD-SH-017	No. SHEET 1
----------------------------	----------------

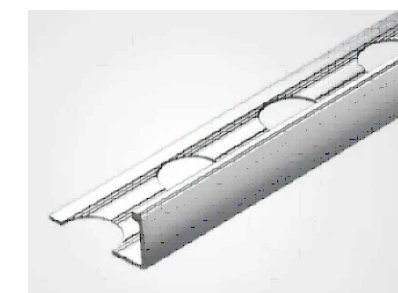
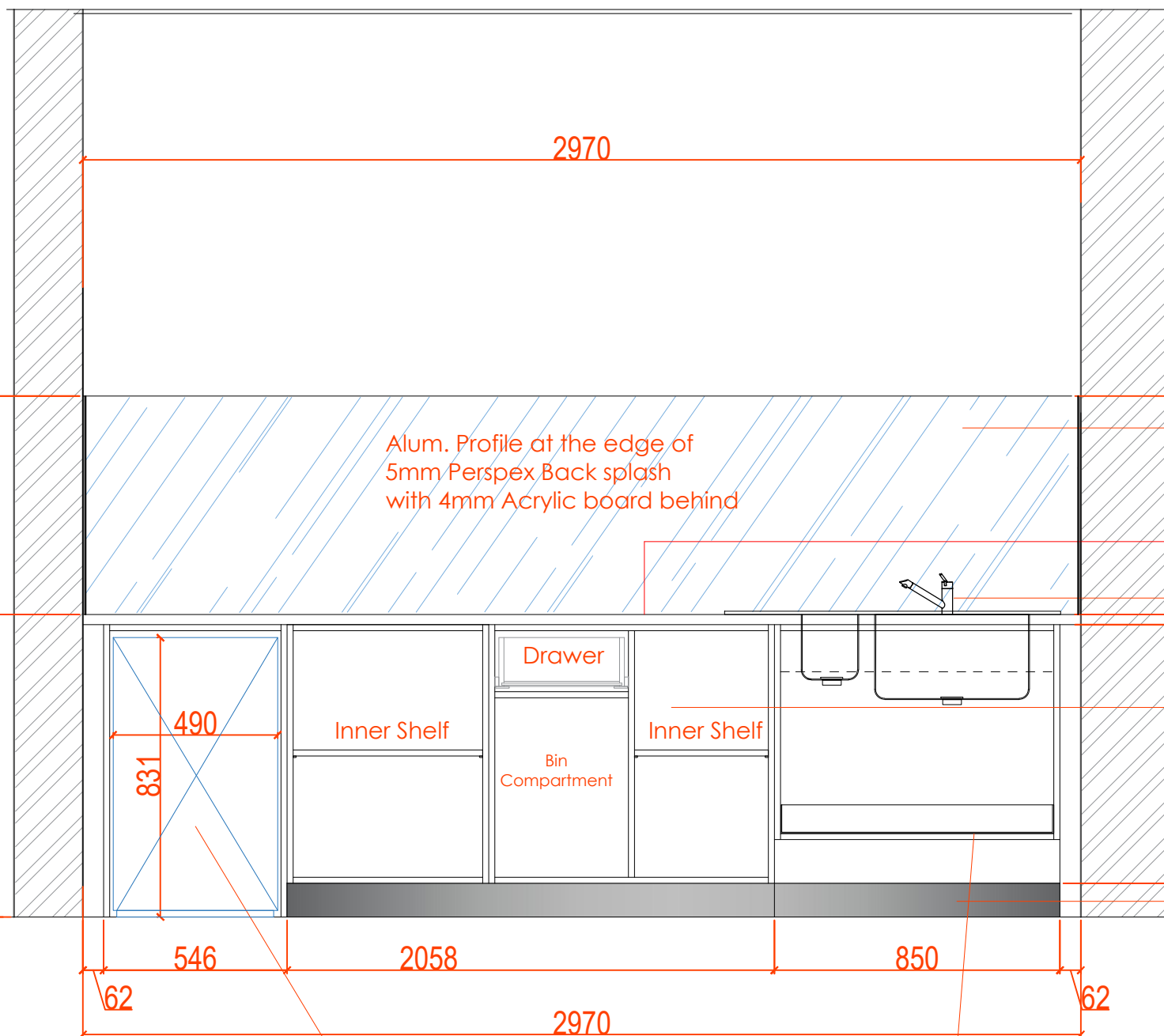
Date	Description
DSD-V1-ID-16/5/2024	- REV1
DSD-V1-ID-10/6/2024	- REV 2
DSD-V1-ID-26/6/2024	- REV 3
DSD-V1-ID-03/7/2024	- REV 4

FOR APPROVAL

Project No. : ---
Scale : N/A
Drawn by : OBJ
Checked : OBJ
Cad File : CAD_FILE

Sheet title
Coffee Station (Executive floor)
INNER VIEW Details

Dwg No. : WS-DS-SD-SH-017
No. : SHEET 2



Alum. Profile at the edge of 5mm Perspex Back splash with 4mm Acrylic board behind

Alum. Profile at the edge of 5mm Perspex Back splash with 4mm Acrylic board behind

Corian Top

Sink with Tap by Others

Cabinet with timber laminate doors/surfaces and plywood structure; magnetic catch, with recessed profile handle

Stainless steel skirting with solid wood support

UNDER SINK CABINET TO PROTECT WITH ALUMINIUM FOIL PAD



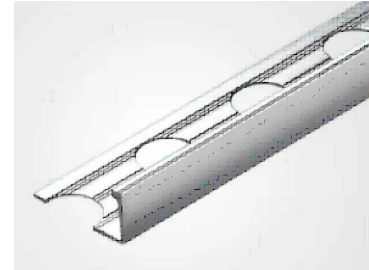
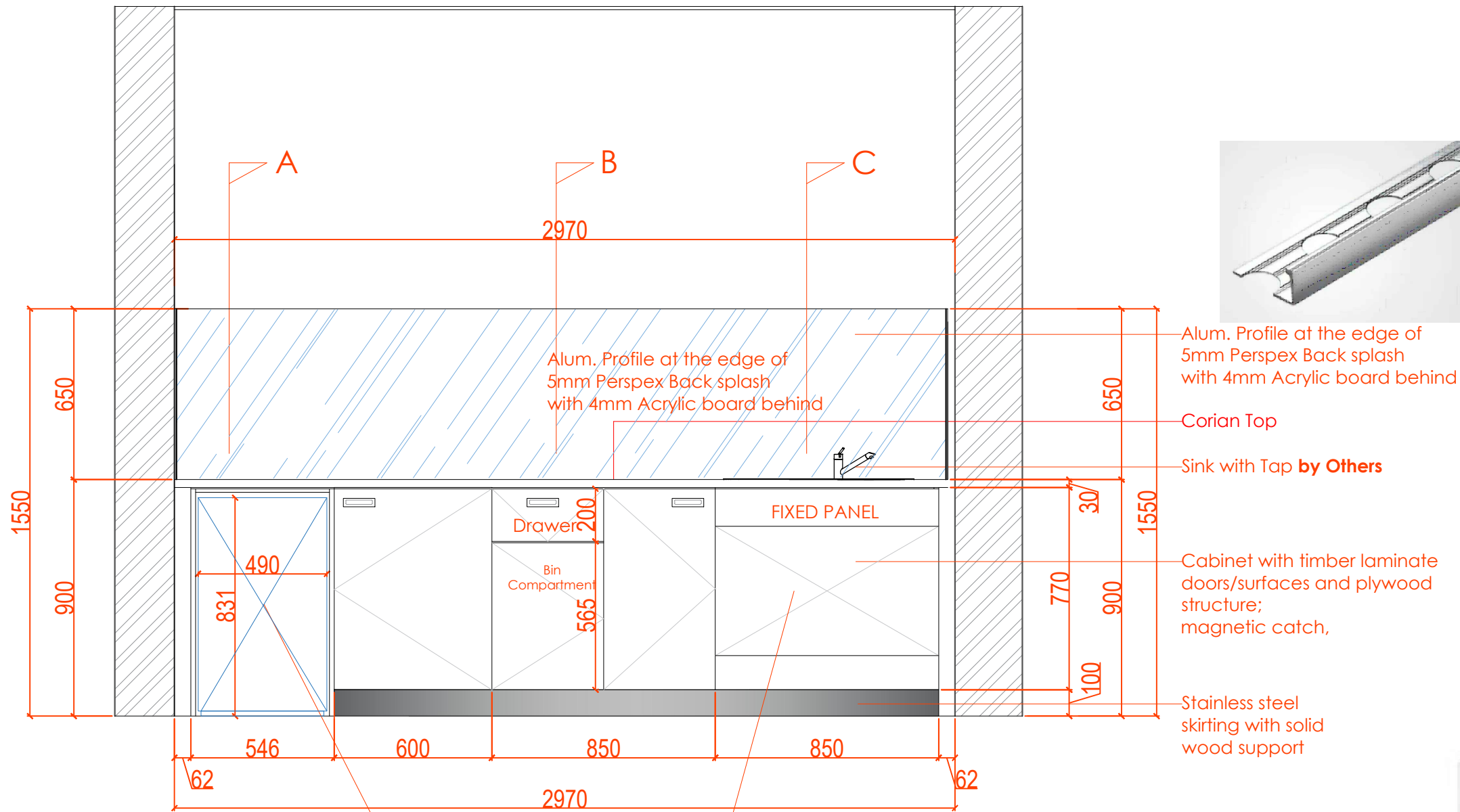
Stainless Sink with drainer - Grohe K500



Refridgerator; Thermocool 90L Single Door Fridge HR-134MBS Size - 445*490*831 mm

Coffee Station UNIT. INNER VIEW Details

Refridgerator; Thermocool 90L Single Door Fridge HR-134MBS Size - 445*490*831 mm



Alum. Profile at the edge of 5mm Perspex Back splash with 4mm Acrylic board behind

Corian Top

Sink with Tap **by Others**

Cabinet with timber laminate doors/surfaces and plywood structure; magnetic catch,

Stainless steel skirting with solid wood support

Coffee Station UNIT. FRONT ELEV. WITH DOOR Details

Refridgerator;
Thermocool
90L Single Door Fridge
HR-134MBS
Size - 445*490*831 mm

REMOVABLE PANEL FOR ACCESS
BOTTOM OF CABINET TO BE
PROTECTED WITH ALUMINUM FOIL
PAD UNDERNEATH



Stainless Sink with
drainer - Grohe K500



Refridgerator;
Thermocool
90L Single Door Fridge
HR-134MBS
Size - 445*490*831 mm

www.wood-styles.com

Copyright of designs shown herein is retained by this office.
Authority is required for any reproduction.
© Copyright Wood-styles Ltd.

Nigeria, Lagos +234 80 9037 9888
Email: info@wood-styles.com

Project
SHELL CW866175
SHELL PROJECT
EAGLE -ALPHA 1 TOWER

Owner

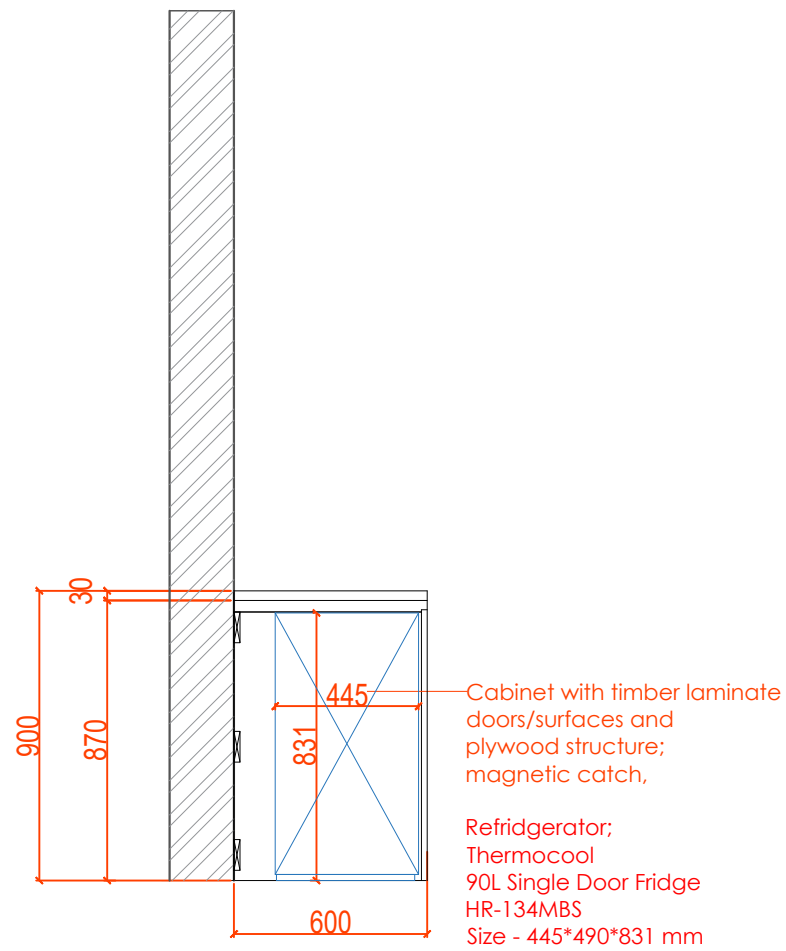
Date	Description
DSD-V1-ID-16/5/2024	- REV1
DSD-V1-ID-10/6/2024	- REV 2
DSD-V1-ID-26/6/2024	- REV 3
DSD-V1-ID-03/7/2024	- REV 4

FOR APPROVAL

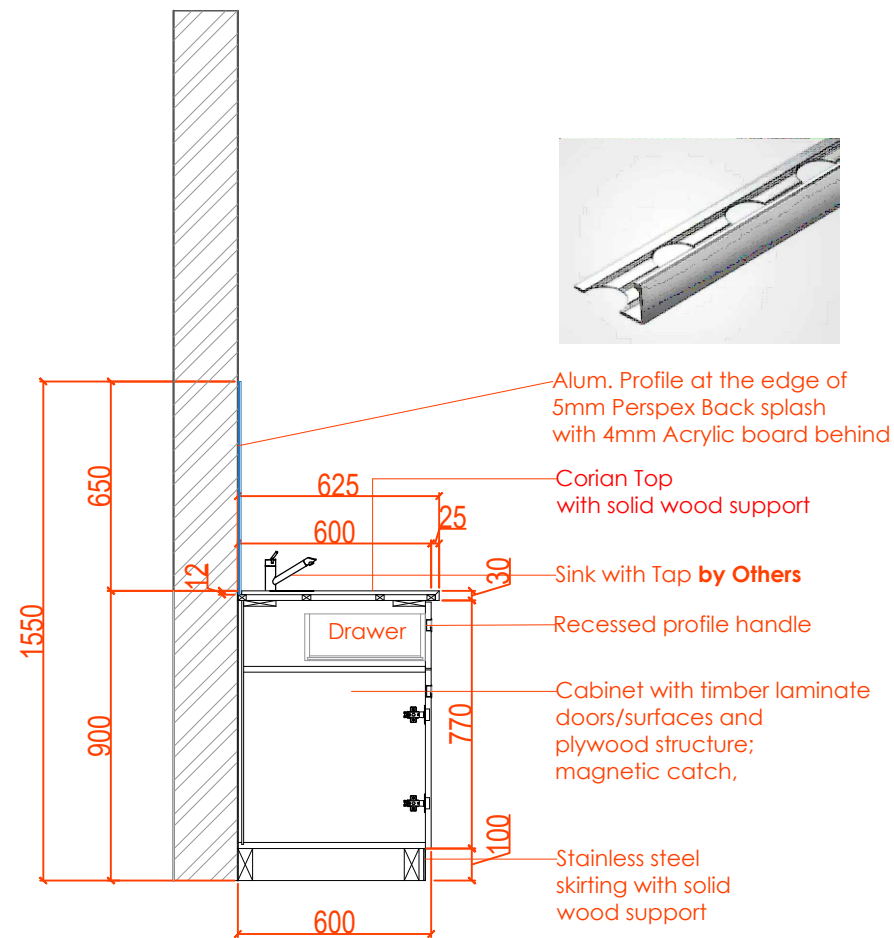
Project No. : ---
Scale : N/A
Drawn by : OBJ
Checked : OBJ
Cad File : CAD_FILE

Sheet title
Coffee Station (Executive floor)
FRONT ELEV. WITH DOOR Details

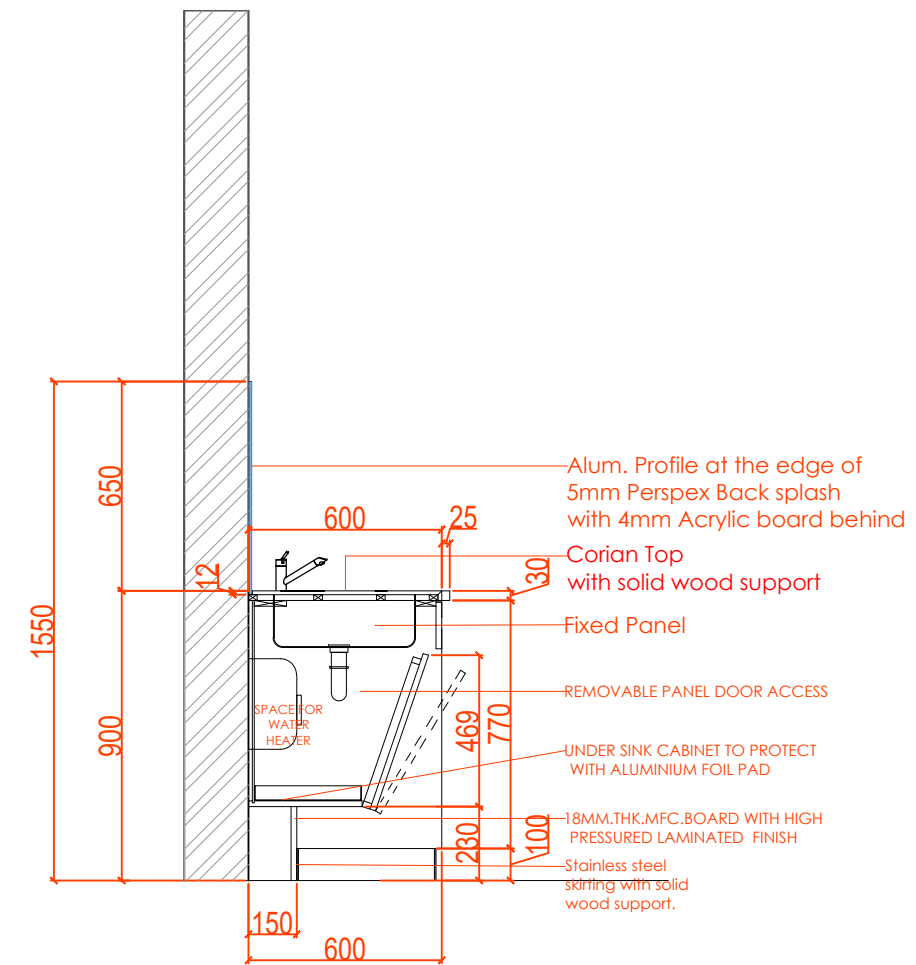
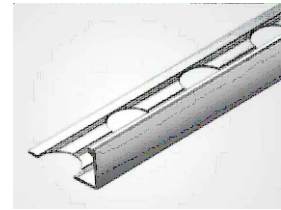
Dwg No. WS-DS-SD-SH-017 No. SHEET 3



Coffee Station UNIT.
SECTIONAL Details-A



Coffee Station UNIT.
SECTIONAL Details-B



Coffee Station UNIT.
SECTIONAL Details-C

www.wood-styles.com

Copyright of designs shown herein is retained by this office. Authority is required for any reproduction. © Copyright Wood-styles Ltd.

Nigeria, Lagos +234 80 9037 9888
Email: info@wood-styles.com

Project
SHELL CW866175
SHELL PROJECT
EAGLE -ALPHA 1 TOWER

Owner

Date	Description
DSD-V1-ID-16/5/2024	- REV1
DSD-V1-ID-10/6/2024	- REV 2
DSD-V1-ID-26/6/2024	- REV 3
DSD-V1-ID-03/7/2024	- REV 4

FOR APPROVAL

Project No. : --
Scale : N/A
Drawn by : OBJ
Checked : OBJ
Cad File : CAD_FILE

Sheet title
Coffee Station (Executive floor)
SECTIONAL Details-A and B

Dwg No. WS-DS-SD-SH-017
No. SHEET 4